

Supreme Duty Hose Reels

T Series

T Series spring driven hose reels are the toughest hose reels in the spring driven line. The extra large chassis is strongly supported by dual pedestal-style arms that span from the roller guide bracket down to the sturdy mounting base. They're perfect for off-road applications that demand reliability in the most abusive and demanding environments.

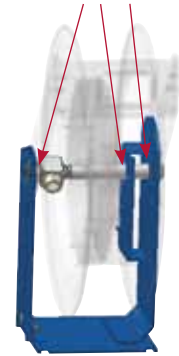
T SERIES Offers...

- ✓ Dual Pedestal-Style Support Arms & Base
- ✓ Triple Axle Support Points To The Center Shaft With Super Hub™ Axle Support System
- ✓ Built For Rugged Mobile Applications
- ✓ Solid Brass BSP Swivel



MODEL// TSH-N-350-BGX

Triple axle support with Super Hub™ & a full frame for extra strength



MOTOR

MANUAL

SPRING

| | |
|-----------------|----------------|
| Drive Type | Spring |
| Media | Air |
| | Water |
| | Oil |
| | Grease |
| Swivel material | Brass |
| Seal material | Nitrile |

LOW PRESSURE // Air & Water

| MODEL hose | MODEL no hose | I.D. | O.D. | Length | BAR | Inlet | Outlet | KG hose | KG no hose | Size |
|----------------|-----------------|------|------|--------|-----|-------|--------|---------|------------|------|
| TSH-N-350-BGX | TSHL-N-350-BGX | 10mm | 17mm | 15 m | 21 | 3/8" | 3/8" | 28 | 25 | 1 |
| TSH-N-375-BGX | TSHL-N-375-BGX | 10mm | 17mm | 23 m | 21 | 3/8" | 3/8" | 37 | 33 | 3 |
| TSH-N-3100-BGX | TSHL-N-3100-BGX | 10mm | 17mm | 30 m | 21 | 3/8" | 3/8" | 39 | 34 | 3 |
| TSH-N-3125-BGX | TSHL-N-3125-BGX | 10mm | 17mm | 38 m | 21 | 3/8" | 3/8" | 47 | 41 | 3 |
| TSH-N-450-BGX | TSHL-N-450-BGX | 12mm | 21mm | 15 m | 21 | 1/2" | 1/2" | 29 | 25 | 2 |
| TSH-N-475-BGX | TSHL-N-475-BGX | 12mm | 21mm | 23 m | 21 | 1/2" | 1/2" | 37 | 32 | 3 |
| TSH-N-4100-BGX | TSHL-N-4100-BGX | 12mm | 21mm | 30 m | 21 | 1/2" | 1/2" | 43 | 36 | 3 |
| TSH-N-535-BGX | TSHL-N-535-BGX | 19mm | 29mm | 11 m | 21 | 3/4" | 3/4" | 35 | 30 | 5 |
| TSH-N-550-BGX | TSHL-N-550-BGX | 19mm | 29mm | 15 m | 21 | 3/4" | 3/4" | 38 | 32 | 5 |
| TSH-N-575-BGX | TSHL-N-575-BGX | 19mm | 29mm | 23 m | 21 | 3/4" | 3/4" | 42 | 33 | 8 |
| TSH-N-635-BGX | TSHL-N-635-BGX | 25mm | 37mm | 11 m | 21 | 1" | 1" | 42 | 34 | 6 |
| TSH-N-650-BGX | TSHL-N-650-BGX | 25mm | 37mm | 15 m | 21 | 1" | 1" | 44 | 35 | 8 |

Maximum temp. 65°C Reels without hose can be used for air, water & oil

MEDIUM PRESSURE // Air, Water & Oil

| MODEL hose | MODEL no hose | I.D. | O.D. | Length | BAR | Inlet | Outlet | KG hose | KG no hose | Size |
|------------------|------------------|------|------|--------|-----|-------|--------|---------|------------|------|
| TMP-N-350-BGX | TMPL-N-350-BGX | 10mm | 17mm | 15 m | 210 | 3/8" | 3/8" | 34 | 28 | 2 |
| TDMP-N-350-BGX** | TDMP-L-N-350-BGX | 10mm | 17mm | 15 m | 210 | 3/8" | 3/8" | 47 | 36 | 7 |
| TMP-N-375-BGX | TMPL-N-375-BGX | 10mm | 17mm | 23 m | 210 | 3/8" | 3/8" | 45 | 36 | 3 |
| TMP-N-3100-BGX | TMPL-N-3100-BGX | 10mm | 17mm | 31 m | 210 | 3/8" | 3/8" | 48 | 37 | 3 |
| TMP-N-450-BGX | TMPL-N-450-BGX | 12mm | 21mm | 15 m | 175 | 1/2" | 1/2" | 35 | 29 | 2 |
| TDMP-N-450-BGX** | TDMP-L-N-450-BGX | 12mm | 21mm | 15 m | 175 | 1/2" | 1/2" | 48 | 35 | 7 |
| TMP-N-475-BGX | TMPL-N-475-BGX | 12mm | 21mm | 23 m | 175 | 1/2" | 1/2" | 45 | 36 | 3 |
| TMP-N-4100-BGX | TMPL-N-4100-BGX | 12mm | 21mm | 31 m | 175 | 1/2" | 1/2" | 48 | 36 | 3 |
| TMP-N-525-BGX | TMPL-N-525-BGX | 19mm | 29mm | 8 m | 105 | 3/4" | 3/4" | 30 | 26 | 4 |
| TMP-N-535-BGX | TMPL-N-535-BGX | 19mm | 29mm | 10 m | 105 | 3/4" | 3/4" | 40 | 34 | 5 |
| TMP-N-550-BGX | TMPL-N-550-BGX | 19mm | 29mm | 15 m | 105 | 3/4" | 3/4" | 43 | 34 | 5 |
| TMP-N-575-BGX | TMPL-N-575-BGX | 19mm | 29mm | 23 m | 105 | 3/4" | 3/4" | 45 | 35 | 8 |
| TMP-N-650-BGX | TMPL-N-650-BGX | 25mm | 37mm | 15 m | 88 | 1" | 1" | 53 | 37 | 8 |

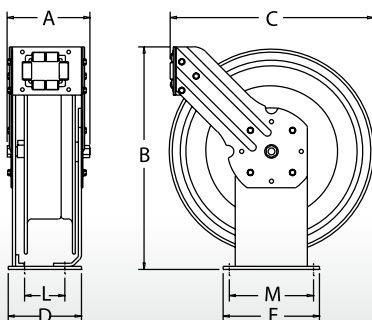
Reels with hose come with one wire braid hose suitable for air, water & oil with a maximum temp. 99°C

**Reels are supplied with dual hydraulics hose

HIGH PRESSURE // Air, Water, Oil & Grease

| MODEL hose | MODEL no hose | I.D. | O.D. | Length | BAR | Inlet | Outlet | KG hose | KG no hose | Size |
|----------------|-----------------|------|------|--------|-----|-------|--------|---------|------------|------|
| THP-N-150-BGX | THPL-N-150-BGX | 6mm | 12mm | 15 m | 350 | 1/4" | 1/4" | 34 | 28 | 2 |
| THP-N-1100-BGX | THPL-N-1100-BGX | 6mm | 12mm | 31 m | 350 | 1/4" | 1/4" | 47 | 37 | 3 |
| THP-N-350-BGX | THPL-N-350-BGX | 10mm | 17mm | 15 m | 280 | 3/8" | 3/8" | 35 | 30 | 4 |
| THP-N-375-BGX | THPL-N-375-BGX | 10mm | 17mm | 23 m | 280 | 3/8" | 3/8" | 44 | 36 | 5 |

Maximum temp.



FOR MORE INFORMATION PLEASE CALL +44 (0) 1536 464 990 or visit www.crireels.com