

Dual Purpose Hose Reels

MODEL// C-LP-325-325-BGX

C Series

C Series "Combination" spring driven hose reels are a combination of two hose reels in one compact assembly. They are perfect for applications in which two sources are needed to get the job done when space is a critical factor. The single mounting base creates stability and adds to the convenience of one mounting pattern. This series is Also available in air hose/electrical cord combinations.

C SERIES Offers...

- ✓ Compact Two Reel Assembly
- ✓ One Convenient Mounting Base
- ✓ Each Reel Operates Independently
- ✓ Solid Brass BSP Swivel



SPRING MANUAL MOTOR

Drive Type

Spring

Media

Air

Water

Oil

Grease

Swivel material

Brass

Seal material

Nitrile

LOW PRESSURE // Air & Water

MODEL hose	MODEL no hose	I.D.	O.D.	Length	BAR	Inlet	Outlet	KG hose	KG no hose	Size
C-LP-125-125-BGX	C-LPL-125-125-BGX	6mm	12mm	8 m	21	1/4"	1/4"	30	27	1
C-LP-150-150-BGX	C-LPL-150-150-BGX	6mm	12mm	15 m	21	1/4"	1/4"	34	29	1
C-LP-325-325-BGX	C-LPL-325-325-BGX	10mm	17mm	8 m	21	3/8"	3/8"	30	27	2
C-LP-350-350-BGX	C-LPL-350-350-BGX	10mm	17mm	15 m	21	3/8"	3/8"	35	29	2
C-LP-425-425-BGX	C-LPL-425-425-BGX	12mm	21mm	8 m	21	1/2"	1/2"	32	27	3

Maximum temp. 65°C Reels without hose can be used for air, water & oil

MEDIUM PRESSURE // Air, Water & Oil

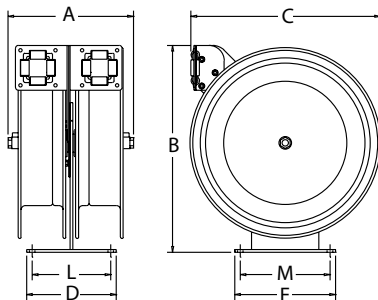
MODEL hose	MODEL no hose	I.D.	O.D.	Length	BAR	Inlet	Outlet	KG hose	KG no hose	Size
C-MP-335-335-BGX	C-MPL-335-335-BGX	10mm	16mm	11 m	210	3/8"	3/8"	39	31	3
C-MP-430-430-BGX	C-MPL-430-430-BGX	12mm	19mm	9 m	175	1/2"	1/2"	38	30	3

Reels with hose come with one wire braid hose suitable for air, water & oil with a maximum temp. 99°C

HIGH PRESSURE // Air, Water, Oil & Grease

MODEL hose	MODEL no hose	I.D.	O.D.	Length	BAR	Inlet	Outlet	KG hose	KG no hose	Size
C-HP-135-135-BGX	C-HPL-135-135-BGX	6mm	1732"	10 m	350	1/4"	1/4"	38	31	3
C-HP-330-330-BGX	C-HPL-330-330-BGX	10mm	4364"	9 m	280	3/8"	3/8"	37	30	3

Maximum temp. 99°C



DIMENSIONS

SIZE	A	B	C	D	E	L	M
1	267	464	438	203	229	178	203
2	283	464	438	203	229	178	203
3	164	464	438	203	229	178	203